

Analogue time switches Front panel-/Wall mounting, Switching segments

NEW



previously



Program	Number of channels	Power reserve	Type	Article No.
Daily program	1	-	tactic 111.1	01.80.0001.1
Daily program	1	3 Days	tactic 211.1	02.80.0001.1

Further technical details:

- **Shortest switching time:** 15 Minutes
- **Programmable:** every 15 Minutes
- **Type of contact:** changeover
- **Operating voltage:** 230V AC
- **Switching load:** 10A (2A) at 250V
- **Power consumption:** lower (0,5 / 0,9W)
- **Accuracy:** 1s/Day
- **Temperature range:** -10°C ... 55°C

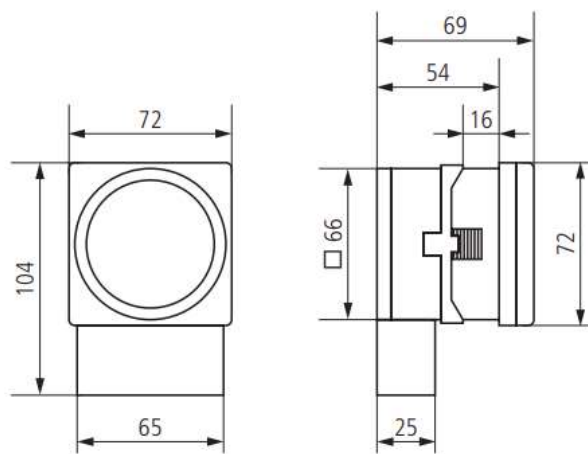
The functionality of the timers remains, in principle, the same. However, they have been extended by the following function:

Override: The shift star can be turned by hand.
With the next shift, it goes back to the automatic state.

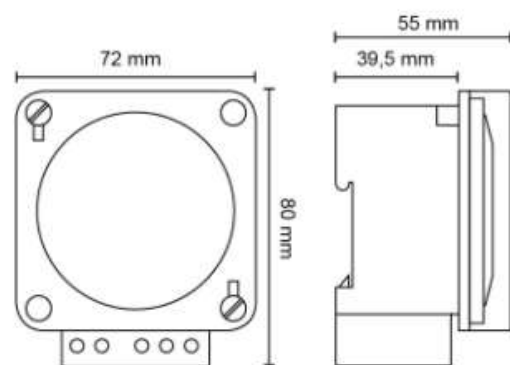
Partially changed dimensions of the product

Please be aware:

NEW



previously



Differences to the former tactic 111.1 & tactic 211.1

In the new versions, all designs are included in one package.

A differentiation into different article numbers, as in the past, is therefore no longer necessary.

The pin assignment is in the same position.
Only the sequence has changed.