

## Time switch technology

### Digital time switch modules



#### Description

##### FMD smart

The time switch module FMD smart C15 is suitable for installation and provides versatile application options throughout buildings and outdoors. It is used for universal switching tasks such as in switchgears, machine controls, or specific solutions as swimming pool controls and sprinkler systems. The FMD smart is designed for installation in customer-specific switching applications.

The device can be operated and programmed via Bluetooth with the talento smart App.

##### FMD easy B1

The time switch module FMD easy is suitable for installation and provides versatile application options throughout buildings and outdoors. It is used for universal switching tasks such as in switchgears, machine controls, or specific solutions as swimming pool controls and sprinkler systems. The FMD easy is designed for installation in customer-specific switching applications. All FMD and FM modules are identical in terms of size and have the same terminal assignments. They are therefore interchangeable.

##### FMD easy C1

The time switch module FMD easy C1 is suitable for installation and provides versatile application options throughout buildings and outdoors. The special thing about this time switch module is that it is able to process Astro programs. This means that the time switch calculates sunrise and sunset times automatically depending on the location and can therefore switch applications on and off depending on the position of the sun. The FMD easy is designed for installation in customer-specific switching applications. All FMD and FM modules are identical in terms of size and have the same terminal assignments. They are therefore interchangeable.

#### Product selection

Program	LED load	Operating voltage	Type	Item no.	Available from
Weekly, annual and Astro programs	400 W	110–230 V AC	FMD smart	43.60.0001.1	03/2023
Weekly program, pulse/cycle		230 V AC	FMD easy B1	43.61.0001.1	03/2023
Astro program		230 V AC	FMD easy C1	43.61.0002.1	03/2023

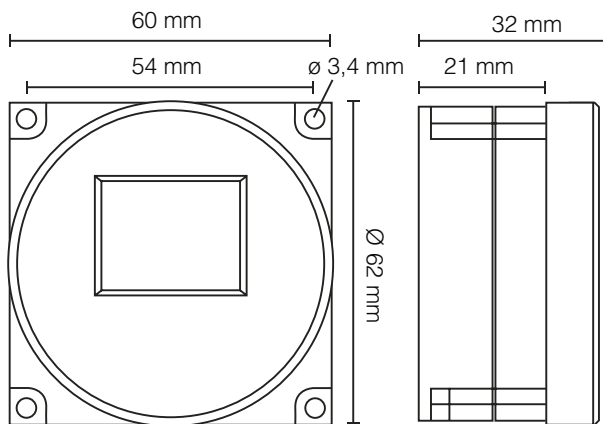
# Time switch technology

## Digital time switch modules

### Technical data

	FMD smart	FMD easy B1	FMD easy C1
Operating voltage	110 V–230 V AC	230 V AC	230 V AC
Frequency	50–60 Hz	50–60 Hz	50–60 Hz
Switching capacity at 250 VAC, cos phi = 1	16A	16A	16A
Switching capacity at 250 VAC, cos phi = 0.6	10A	10A	10A
Shortest switching time		Weekly program: 1 min/pulse: 1 s	Weekly program: 1 min
Incandescent/halogen lamp load	2600 W		
LED load	400W		
Ambient temperature	-20 °C ... +55 °C	-10 °C ... +55 °C	-10 °C ... +55 °C
Time accuracy	< ± 0.3 s/day at 20 °C	< ± 0.5 s/day at 20 °C	< ± 0.5 s/day at 20 °C
Power reserve	8 years	6 years	6 years
Standby output	< 1 W	< 6 VA	< 6 VA
Relay outputs	1	1	1
PROG. Functions	Weekly function, yearly function, Astro function, pulse/cycle function	Weekly function, pulse/cycle function	Astro programs (sunrise/sunset) and adjustable offset of 0...99 min.
protection	IP 20	IP 20	IP 20

### Scale drawings



### Connection example

