

Time switch technology

Time switch modules, switching segments



FM/1 STuZH



FM/1 QRTuZH



FM/1 Q TuZH

Description

The analogue time switch modules are suitable for installation and provides versatile application options throughout buildings and outdoors. They are used for universal switching tasks such as in switchgear, machine controls, or specific solutions as swimming pool control units and sprinkler systems. The analogue time switch modules from the FM series feature enhanced dust protection and are used to control devices, motors, pumps, household appliances and boilers.

FM/1 STuZH

- Without power reserve
- Synchronous drive

FM/1 QRTuZH

- With power reserve
- Quartz controlled

FM/1 Q TuZH

- Without power reserve
- Quartz controlled

Product selection

Type of installation	Operating voltage	Type	Item no.
Installation	230 V AC	FM/1 STuZH	01.76.1001.1
Installation	110-230 V AC	FM/1 QRTuZH	02.76.1001.1
Installation	110-230 V AC	FM/1 Q TuZH	02.76.1002.1

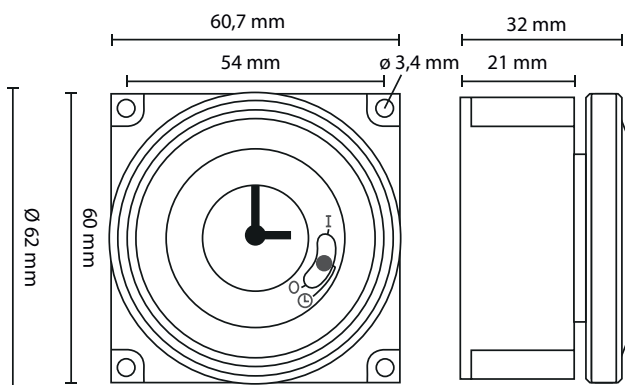
Time switch technology

Time switch modules, switching segments

Technical data

	FM/1 STuZH	FM/1 QRTuZH	FM/1 Q TuZH
Operating voltage	230 V AC	110-230 V AC	
Frequency	50 Hz	50-60 Hz	
Type of installation	Time switch module, for installation in end devices		
Type of contact	Changeover contact		
Program	Daily program		
Number of switching segments	96		
Number of channels	1		
Manual switch	Auto/Fix ON/Fix OFF		
Power reserve	-	max. 3 days	-
Drive	Synchronous motor	Quartz-controlled stepper motor	
Switching output	Potential-free and phase-independent		
Switching capacity at 250 V AC, cos phi = 1	16 A		
Switching capacity at 250 V AC, cos phi = 0.6	8 A		
Incandescent/halogen lamp load	1400 W		
Shortest switching time	15 min		
Programmable every	15 min		
Time accuracy	Synchronised with mains	$\leq \pm 1.5$ s/day (Quartz) at 25 °C	
Standby output	0,9 W	0,6 W	
Housing and insulation material	High-temperature resistant, self-extinguishing thermoplastic		
Protection rating	IP 20		
Protection class	II as per EN 60 730-1		
Ambient temperature	-20 °C ... +55 °C		

Scale drawings



Connection examples

